

## B309 Series, Rated up to 130 Amps, 115 VDC

### Product Facts

- 3PST NO, Single break main contacts
- 2PDT Auxiliary contacts (note 1)
- Gasket sealed
- Meets many requirements of MIL-PRF-6106

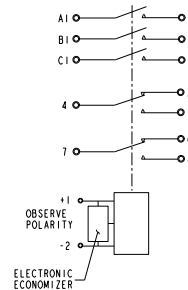
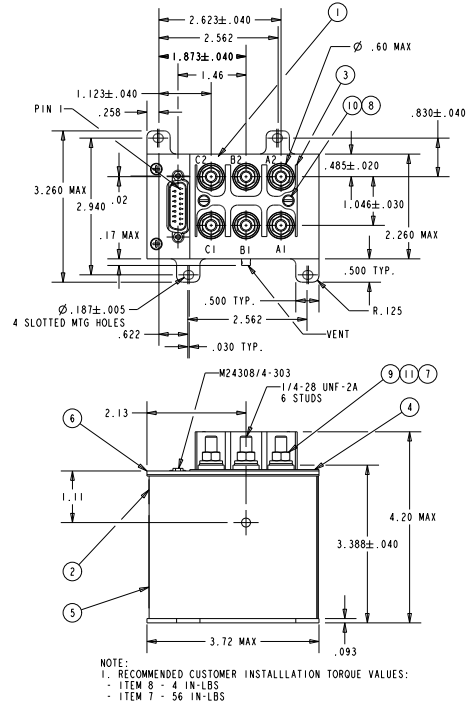
### Performance Data

#### Electrical Characteristics

- Contact Arrangement** — 3PST NO, Single Break
- Rated Operating Voltage** — 115 VDC
- Resistive Current Rating** — 130 Amps (see note 2)
- Rupture Rating** — 1300 Amps (see note 3)

#### General Characteristics

- Temperature Range** — -55°C to +85°C
- Minimum Electrical Cycles** — 50,000
- Minimum Mechanical Cycles** — 100,000 @ 32.5 A
- Dielectric Strength** — 1500 Vrms
- Altitude** — 50,000 ft
- Weight, Max.** — 1.35 lbs
- Duty Cycle** — Continuous (Electronically Economized)
- Coil Operating Voltage** — 28 Vdc
- Drop Out Voltage** — 1.5 to 7 Vdc



HARTMAN Part Number	Construction Type	Mounting Style	Coil Type	Circuit Config.	TE Part Number
B309A	Gasket Sealed	A	Continuous, Electronically Economized	1	1-1616975-7

### NOTES

1. Other aux contact configurations available. Consult Factory.
2. Units with current ratings to 175A are available. Consult Factory.
3. Units with rupture ratings to 1750A are available. Consult Factory.

For factory-direct application assistance, phone 419-521-9500 or fax 419-526-2749.